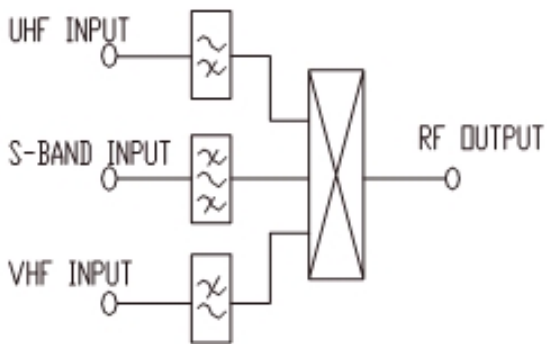


UF MIXER (MEGA-SERIES)

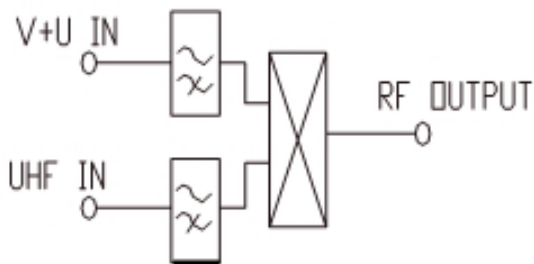


Features :

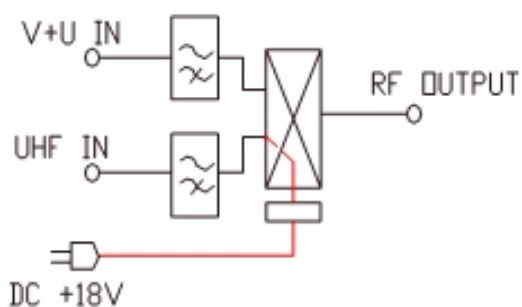
- High performance : small flatness /high return loss low signal loss /high isolation between inputs and so on
- Special small-sized plastic box , appropriate for fitting cable up to 70mm diameter .
- RF connections by means of screw-terminal and clamp to simplify terminating work .
- The unused inputs , should be loaded with a 75 Ohm resistor.
- Easy to installation and maintenance.



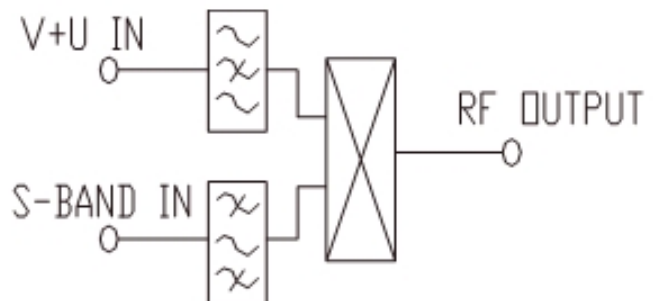
MEGA 13



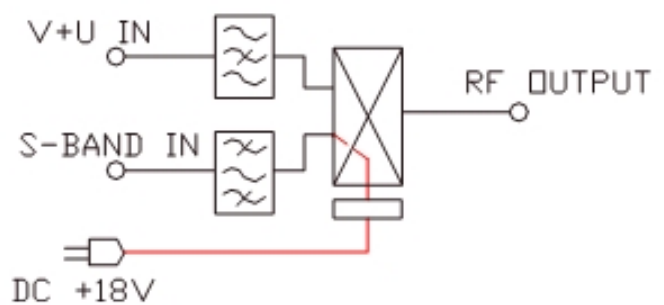
MEGA 11



MEGA 11PS



MEGA 12



MEGA 12PS



UF MIXER (MEGA_SERIES)

TECHNICAL DATA

Model	MEGA11	MEGA12	MEGA13	MEGA11P	MEGA12PS
Ref.					
Frequency Range	1. U-Band MHz 470--860		470--860	530--860	
	2. U+V MHz 45--860	45--860(no s-band)		45--860	45--860
	3. V -Band MHz		45--230		
	4. S -Band MHz	240--450	240--450		240--450
Input and output impedance	Ohm 75	75	75	75	
Distribution loss	1. U-Band dB 4.3		3	4.3	
	2. U+V Band dB 3.8	2.5		3.8	2.5
	3. V -Band dB		1.2		
	4. S -Band dB	1.8	2.5		1.8
Return loss	dB > 15	> 15	> 15	> 15	> 15
Isolation between inputs	dB > 28	> 28	> 28	> 28	> 28
Screening factor	dB > 100	> 100	> 100	> 100	> 100
Connector type	Screw -terminal and clamp				
Outside dimension(wxdxh)	mm	108x 61x 28			
DC out	Vdc			18	18