

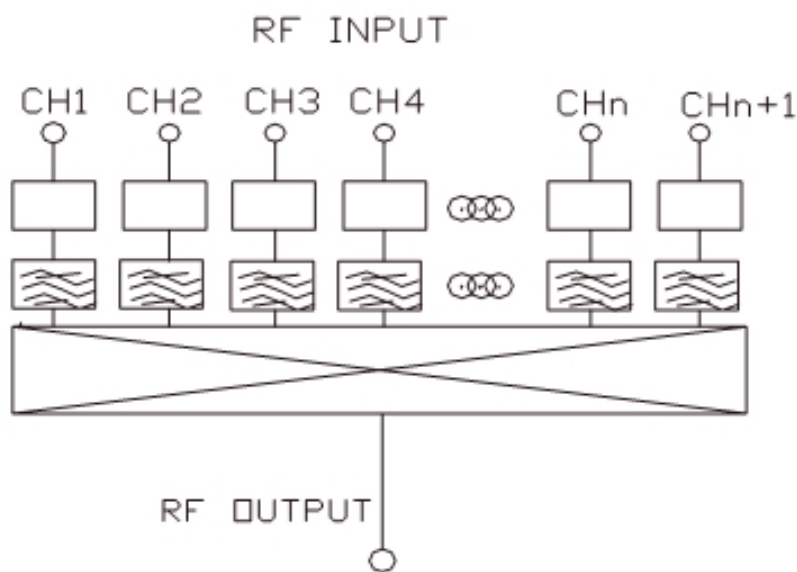


CHANNEL MIXER (YC-SERIES)



Features :

- A passive channel mixer with low insertion loss , high skirt rejection & return loss .
- Specially designed for multi-input Head-End station.
- Two kinds of option:
 - 1 - Aluminum shielded housing type
 - 2 - Waterproof plastic box type.
- Well shielded metal housing suitable for wall / panel mounting
- Shielding rate > 65 dB .
- Input /output impedance: 75 Ohm .
Connector: IEC (PAL) type coaxial socket .
' F ' type available upon request .
- Easy to installation: fitting to masts from 20 to 50 mm diameter through a plastic clamp / metal clamp and fixed accessories supplied.
- Dimension: 210 X 120 X 50 mm .



CHANNEL MIXER BLOCK DIAGRAM



CHANNEL MIXER (YC-SERIES)

TECHNICAL DATA

Model	Number of inputs	Through pass Channel(CCIR)	Insertion loss(dB)	Rejection rate (dB) Of skirt
YB11	2	VHF+UHF	1 - 2	30
YC11	2	3+10	1 - 3	30
YD11	2	5,8,12+3,10,U(P .P .)	1 - 3.5	30
YE11	2	FM+TV	1 - 2	30
YB12	3	BI+BIII+UHF	1 - 2	33
YC12	3	3,10+5,8,12+U	1 - 3.5	35
YD12	3	3+5,8,12+10,U(P.P.)	1 - 3.5	35
YE12	3	3+10+UHF	1 - 3.5	30
YF12	3	3+10+ 26	1 - 3.5	30
YC3	3	3+10+ 5,8,12	1 - 3.5	30
YC13	4	3+10+ 5,8,12+U	1 - 3.5	30
YC4-5	4	3+10+ 8,12+5	1 - 3.5	35
YC4-8	4	3+10+ 5,12+8	1 - 3.5	35
YC4-12	4	3+10+ 5,8+12	1 - 3.5	30
YC5	5	3+5+8+10+ 12	1 - 3.5	30
YC15	6	3+5+8+10+ 12+U	1 - 3.5	30
YC6	6	3+FM+5+8+10+12	1 - 3.5	30
YC16	7	3+FM+5+8+10+12+U	1 - 3.5	30
Customized	Max . 7	Please specify channels required.		