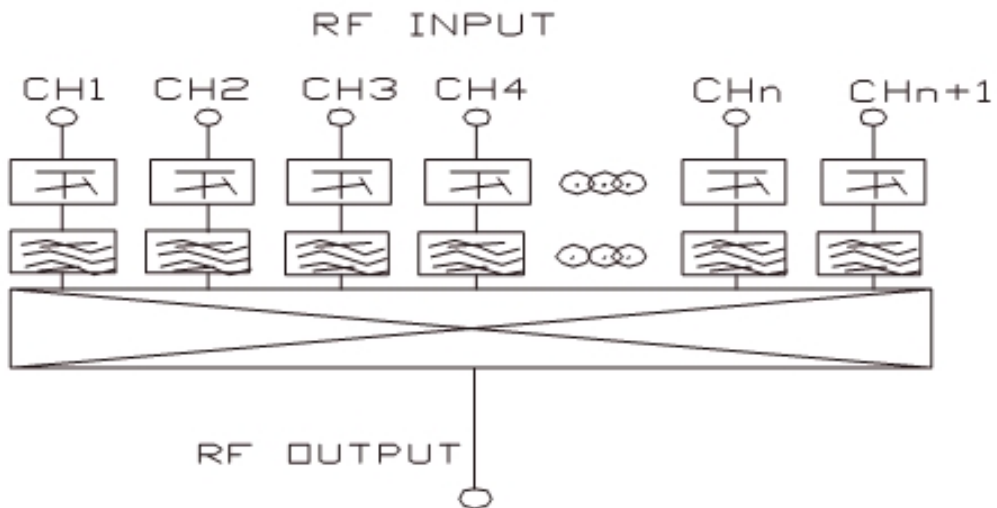
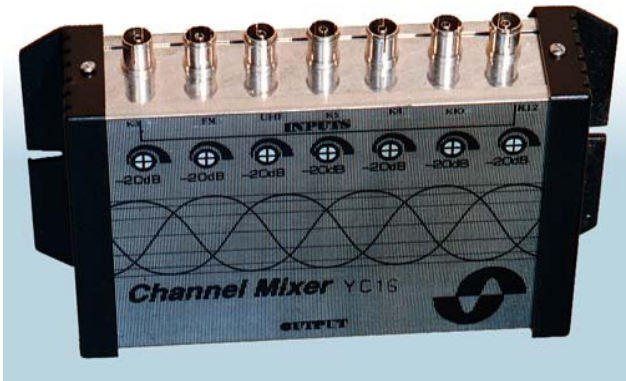




CHANNEL MIXER (HE-SERIES)

Features:

- This passive channel mixer with low insertion loss , high skirt rejection & return loss . Specially designed for multi-input Head-End station.
- Signal strength of each input channel can be adjusted to same level by using the optional built -in adjustable attenuator.
- Well shielded metal housing suitable for wall / panel mounting . Shielding rate > 65 dB .
- Input/output impedance: 75 Ohm .
 - Connector: IEC (PAL) type coaxial socket. ' F ' type available upon request .
- Dimension: 210 X 120 X 50 mm .



CHANNEL MIXER BLOCK DIAGRAM



CHANNEL MIXER (HE-SERIES)

Ⓞ For CATV system Head-End station Ⓞ

TECHNICAL DATA

Model	Number of inputs	Through pass Channel(CCI)	Insertion loss(dB)	Rejection rate (dB) Of skirt
HE-YC12	4	3,10 ^R +5,8,12+UHF	(1 - 3)	28
HF-YC13	3	3+5,8,12+10+UHF	(1 - 3)	30
HE-YC15	6	3+5+8+10+12+UHF	(1 - 3)	30
HE-YC16	7	3+FM+5+8+10+12+UHF	(1 - 3)	30
HE-YU3	3	24+26+28 to 36	(3 - 4)	33
HE-YU3A	3	28+34+36	(3 - 4)	35
HE-YU5	5	24+26+28+34+36	(3 - 4)	35
HE-MR1	3	4+8+10,12	(1 - 2)	30
HE-HY1	7	3+FM+5+7+9+11+UHF	(1 - 3)	30
HE-BK1	7	2+4+6+8+10+12+UHF	(1 - 3)	30
HE-BN1	6	2+4+5+9+12+UHF	(1 - 3)	30
HE-SC1	5	21+23+25+27+29	(3 - 4)	35
HE-SC2	5	22+24+26+28+30	(3 - 4)	35
HE-SC3	7	2+4+5+7+9+11+UHF	(1 - 3)	30
Customized	Max. 7	Please specify channels required.		